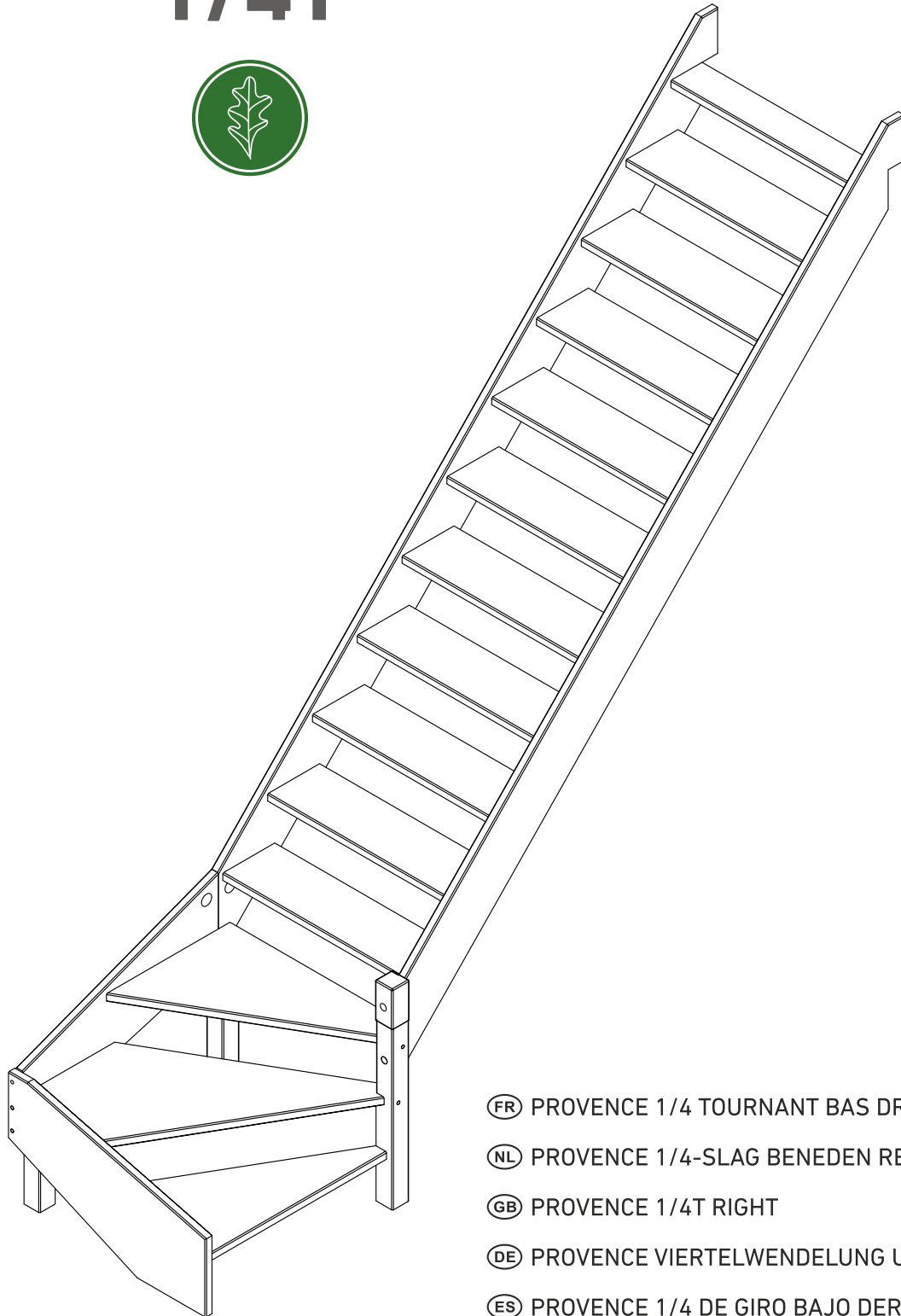




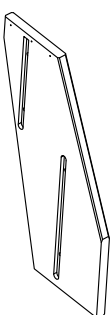
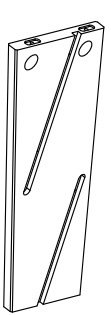
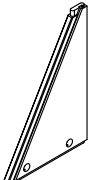
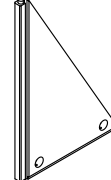
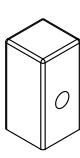
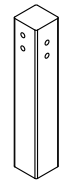
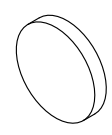
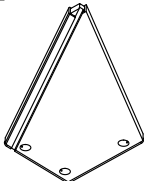


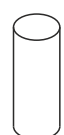
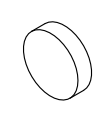



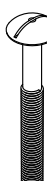
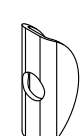


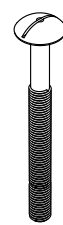



PROVENCE

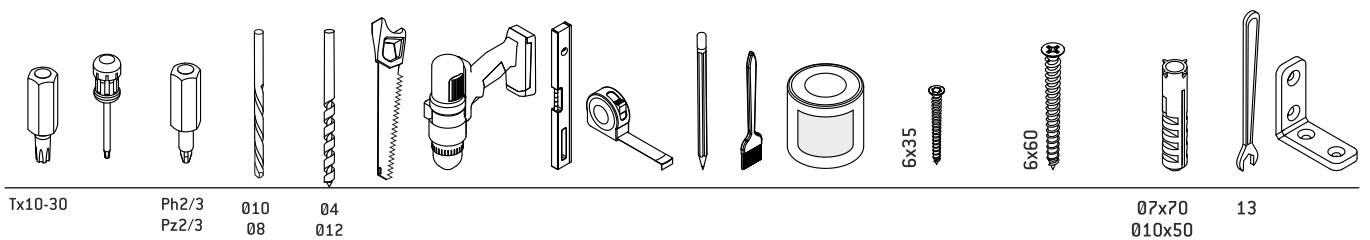
1/4T



- Ⓕ FR PROVENCE 1/4 TOURNANT BAS DROITE
- Ⓖ NL PROVENCE 1/4-SLAG BENEDEN RECHTS
- Ⓖ GB PROVENCE 1/4T RIGHT
- Ⓕ DE PROVENCE VIERTELWENDELUNG UNTEN RECHTS
- Ⓕ ES PROVENCE 1/4 DE GIRO BAJO DERECHA
- Ⓕ RO PROVENCE 1/4 T JOS DREAPTA

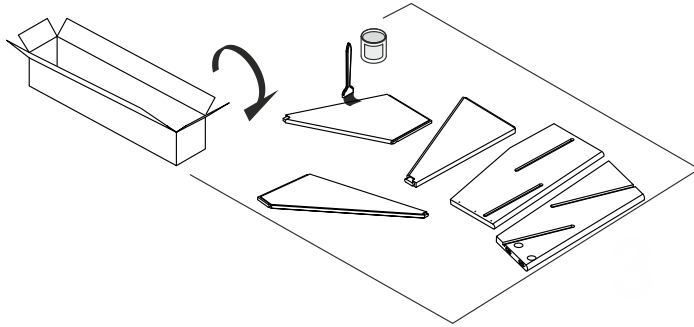


| | | | | | | |
|--|--|---|--|--|---|--|
| <p>01 38x483x836 mm x1</p>  <p>70012093</p> | <p>02 38x563x814 mm x1</p>  <p>70012094</p> | <p>03 38x517x764 mm x1</p>  <p>70012095</p> | <p>05 38x475x764 mm x1</p>  <p>70012096</p> | <p>07 70x70x136 mm x1</p>  | <p>09 70x70x367 mm x1</p>  | <p>11 040 x 6 mm x11+1</p>  |
| | | <p>04 38x778x810 mm x1</p>  <p>70012097</p> | <p>06 70x70x660 mm x1</p>  <p>70012098</p> | <p>08 70x70x563 mm x1</p>  | <p>10 020 x 50 mm x1</p>  | <p>12 020 x 6 mm x2</p>  |
| <p>13 012 x 6 mm x12</p>  | <p>14 08 x 110 mm x1</p>  | <p>15 08 x 70 mm x8</p>  | <p>16 08 x 70 mm x1</p>  | <p>17 1.5x11x18.6mm x11</p>  | <p>18 M8 x11</p>  | |
| <p>19 05x60 mm x12+2</p>  <p>70031053</p> | <p>20 08 x 110 mm x1</p>  |    | | | | |

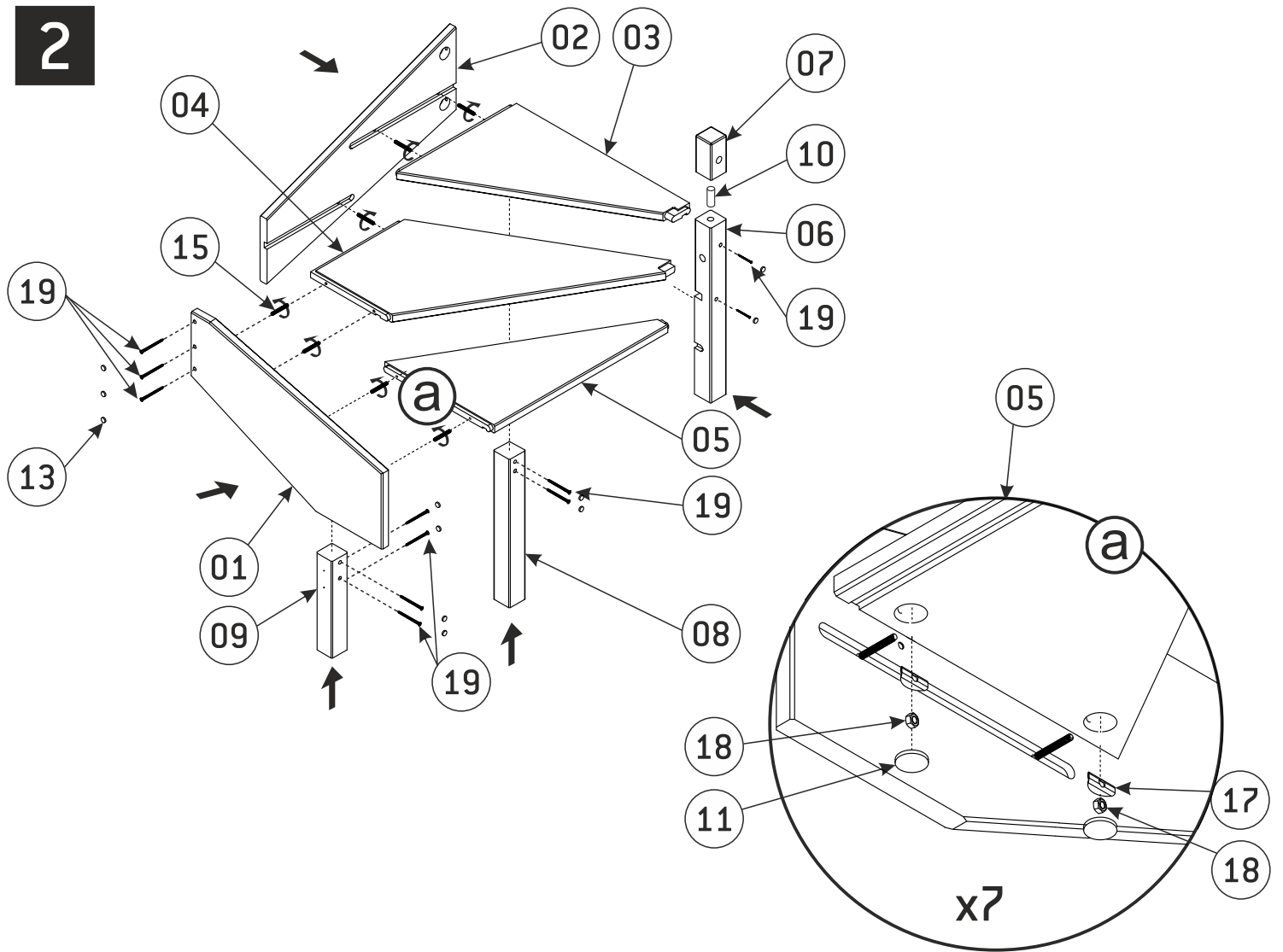




1

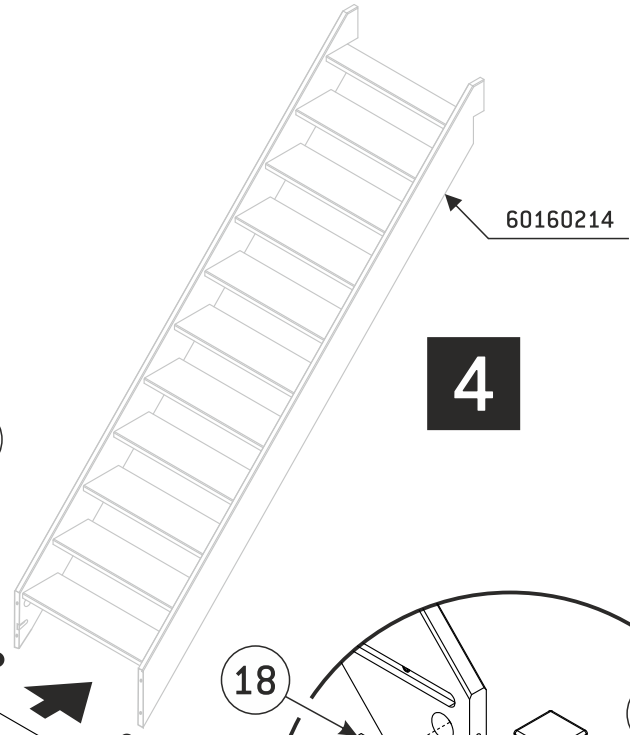
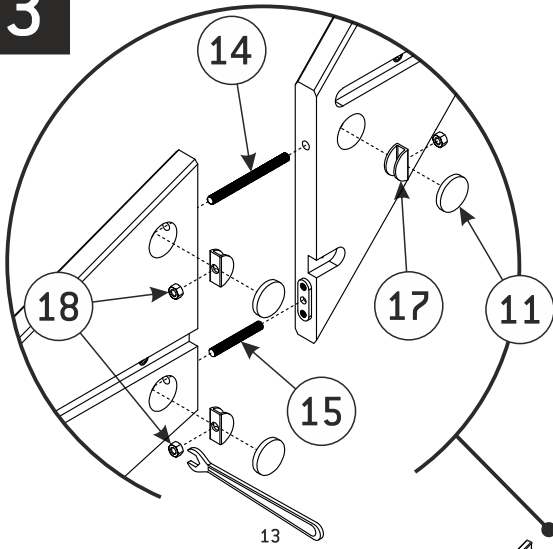


2

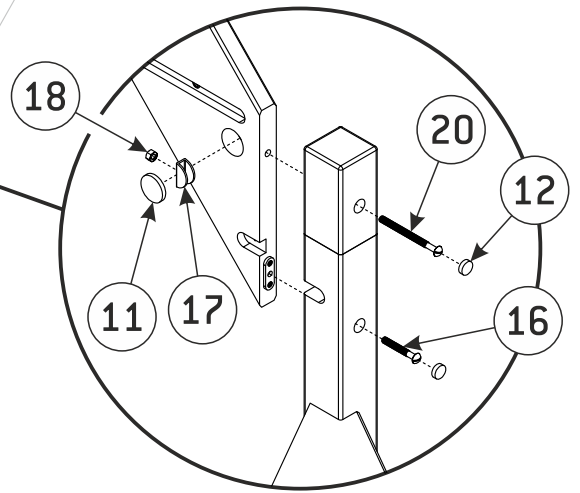




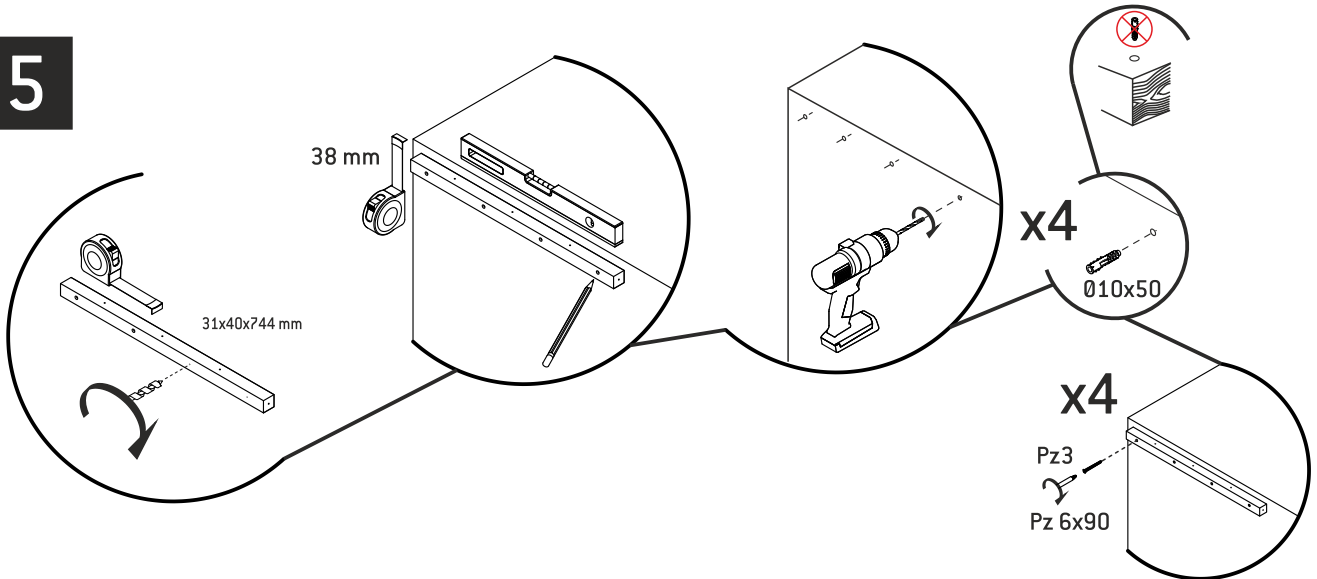
3



4

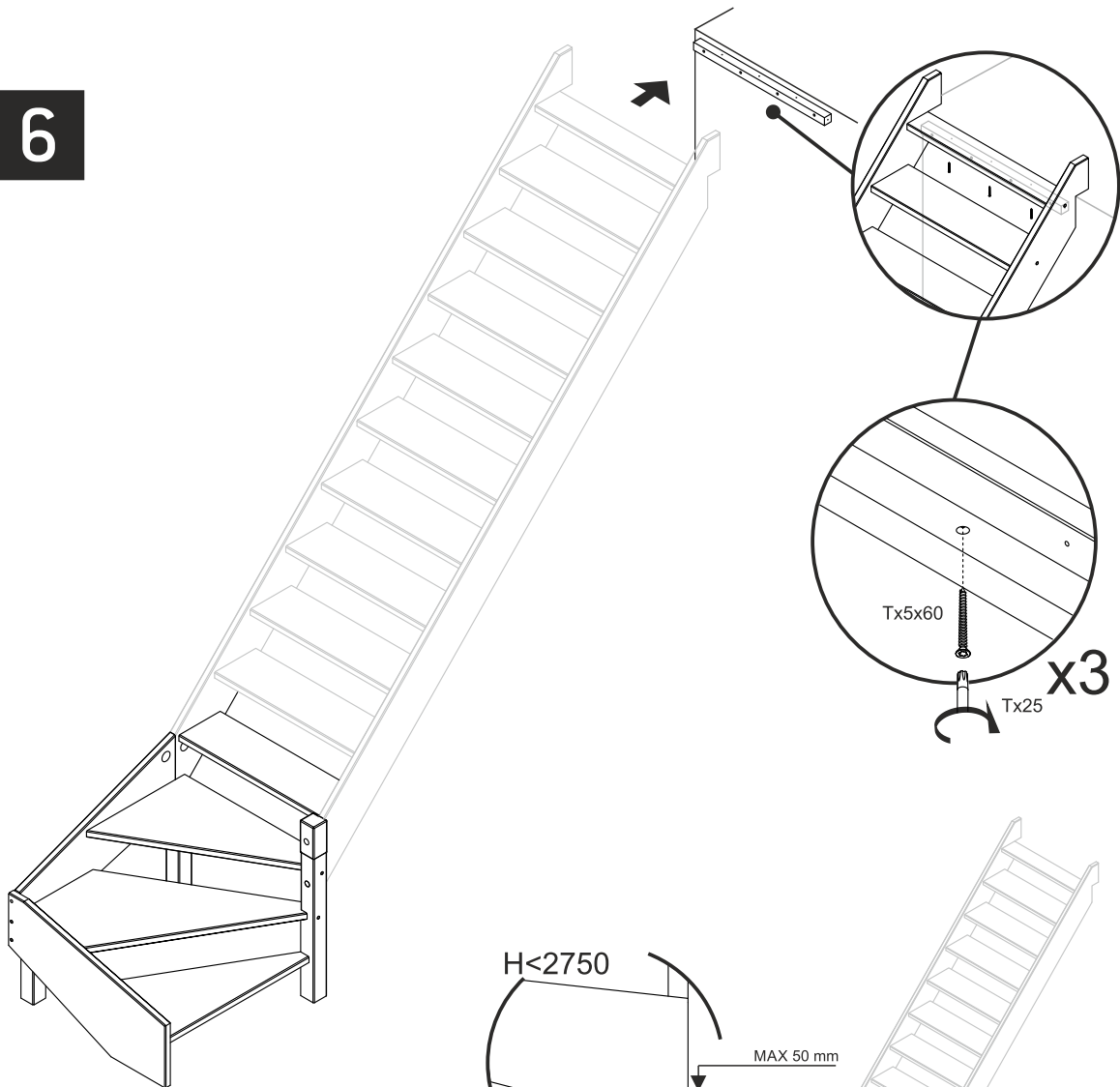


5





6



7

